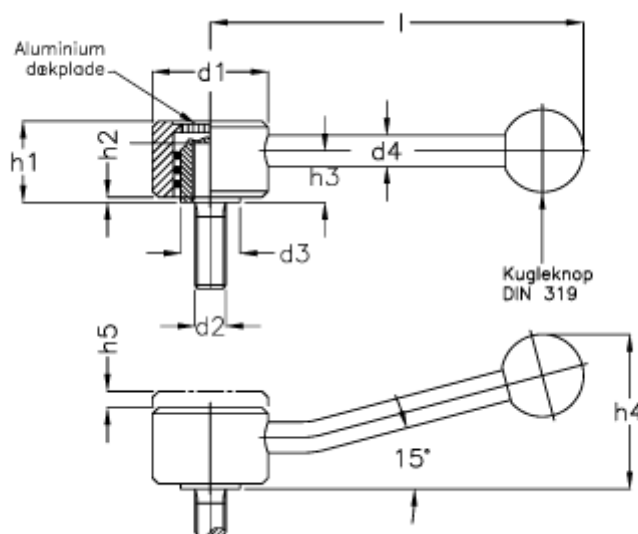


Article number: 20498877D1

Description: E+G Flat adjustable tension lever stainless
GN125.5-32-M8-25-E

Measures



d1 = 32	h5 = 4.0
d2 = M8	l1 = 12
d3 = 13.5	
d4 = 8	
h1 = 20.5	
h2 = 1.5	
h3 = 12.5	
h4 = 36	